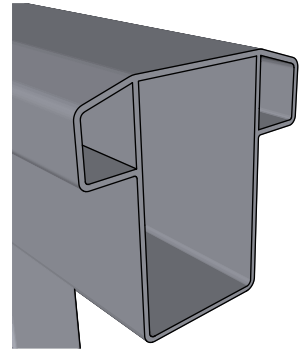
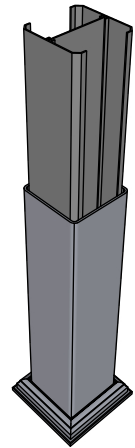


FD-1G Royal Grå 100 railing New England top

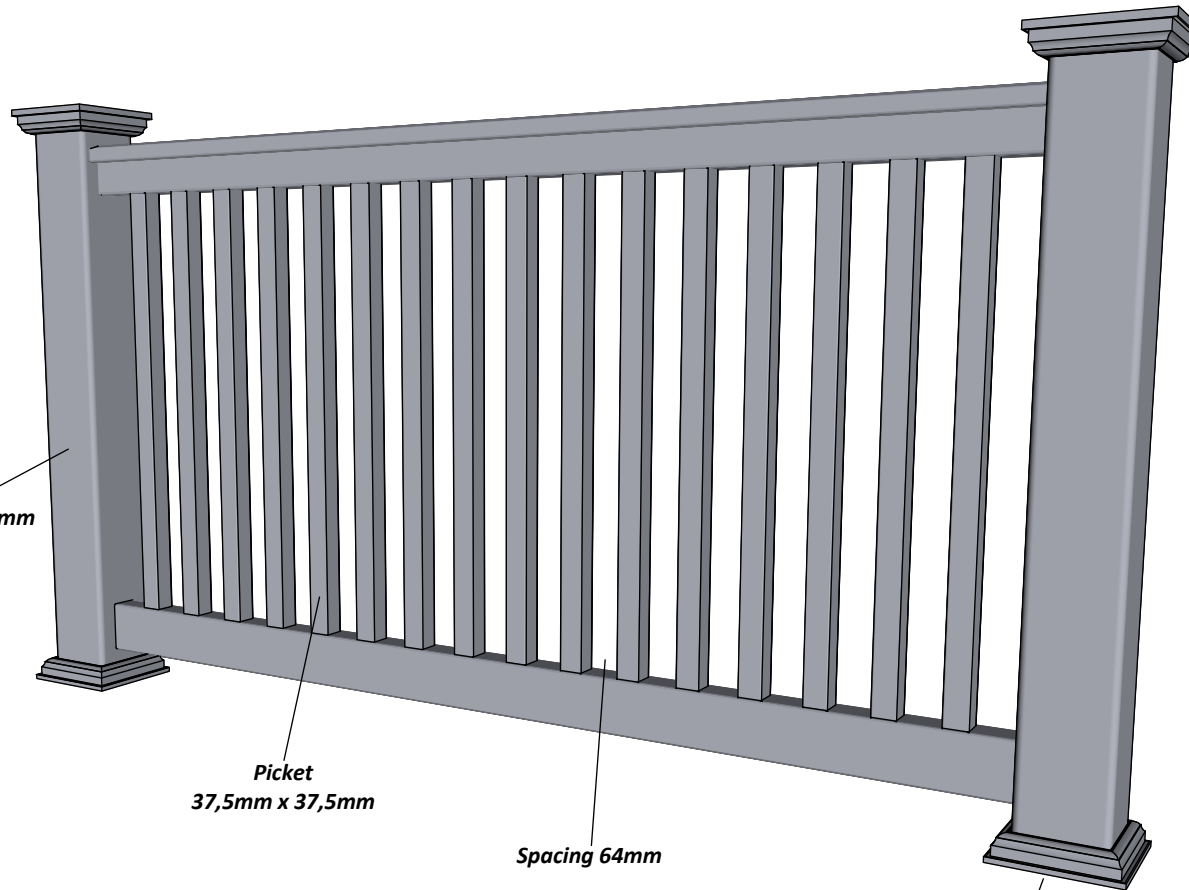


Top rail profile

Rigid aluminum insert in post



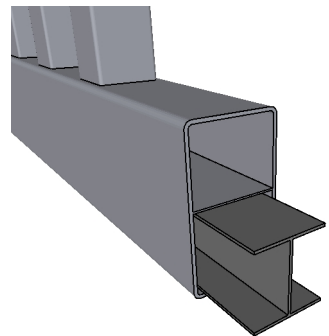
Post
127mm x 127mm



Picket
37,5mm x 37,5mm

Spacing 64mm

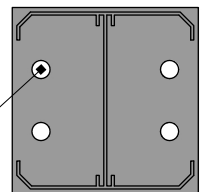
Bottom of insert is
123mm x 123mm
8mm thickness of alu



Aluminum profile in
bottom rail to prevent
deflection

Bottom cover
174mm x 174mm.

Ø = 12mm



KYSTGJERDET

FD-1G Royal Grey 100

www.kystgjerdet.com

Revisions

	MM/DD/YY	Notes
1	14/11/17	Sheet Production - RL
2	06/10/20	Name definition, and layout update - MS
3	10/02/21	Layout update - RL
4	___/___/___	...
5	___/___/___	...

A 03

A