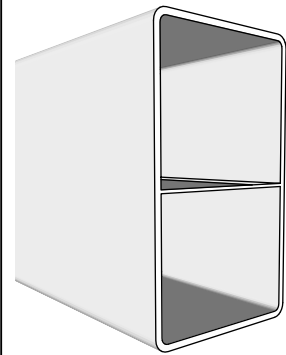
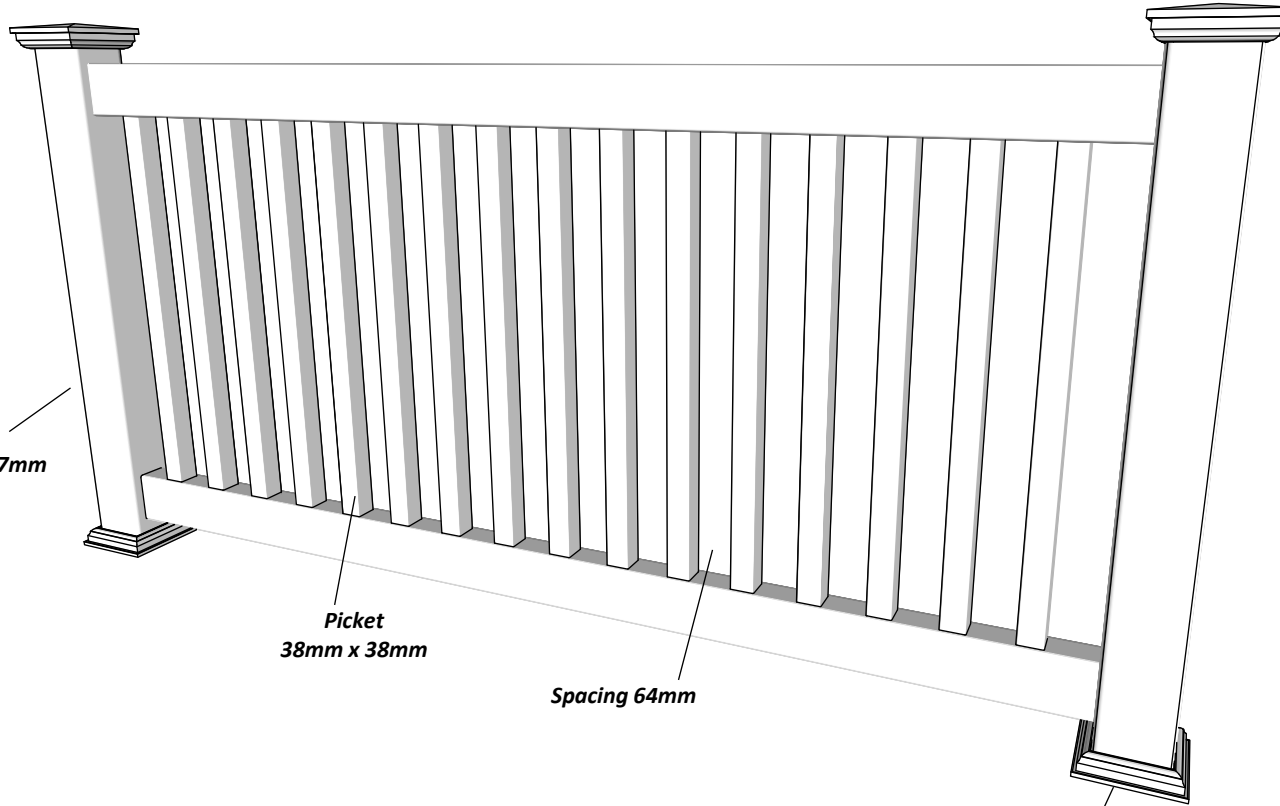
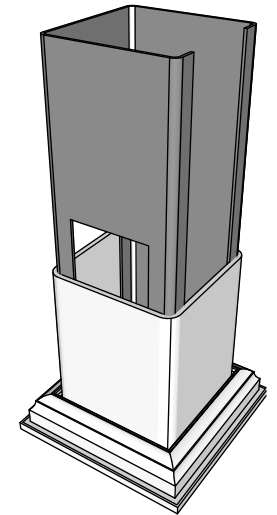


FD-1 Prima 90 railing with New England top



Top rail profile

30cm galvanized steel insert for posts.

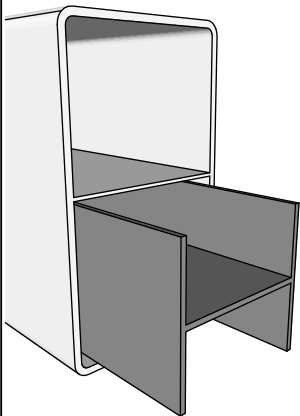


Post
127mm x 127mm

Picket
38mm x 38mm

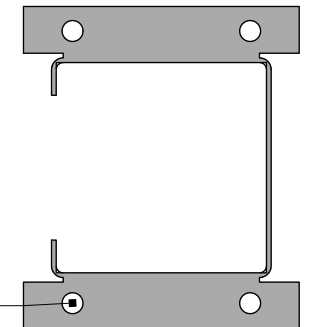
Spacing 64mm

Bottom cover
149mm x 149mm



Aluminum profile in
bottom rail to prevent
deflection

Bottom of insert is
117mm x 138mm. 2mm
thickness of steel.



Dia = 9mm



FD-1 Prima 90
www.kystgjerdet.com

Revisions		
	MM/DD/YY	Notes
1	14/11/17	Sheet Production - RL
2	06/10/20	Name definition, and layout update - MS
3	10/02/21	Layout update - RL
4	---/---/---	...
5	---/---/---	...

A 03