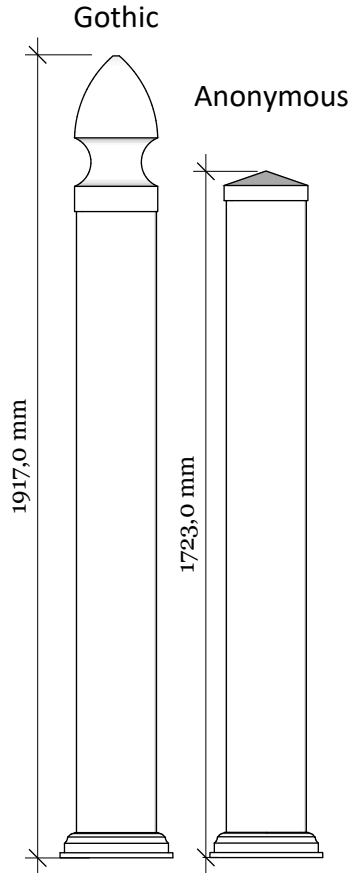
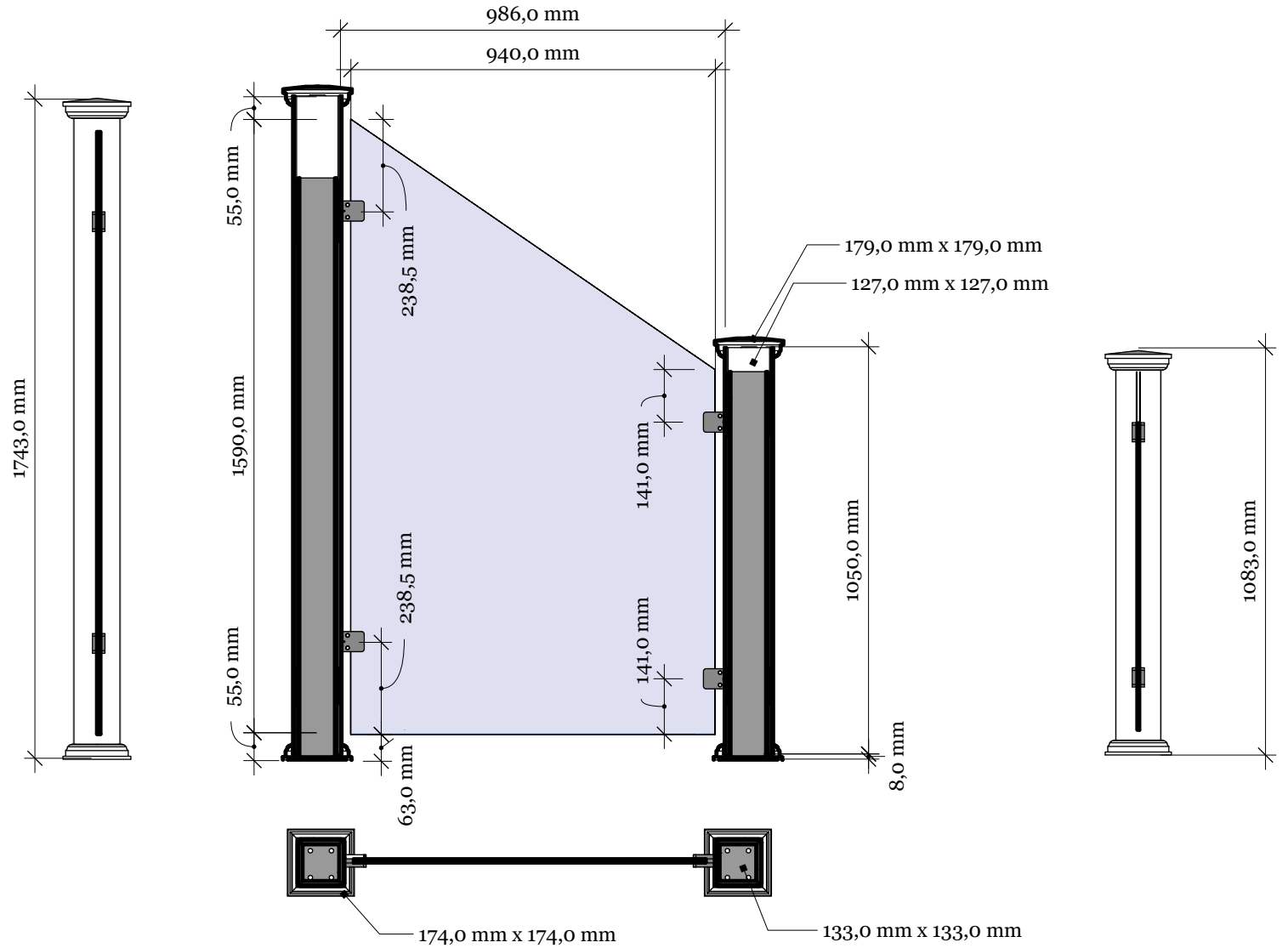


Alternative top caps



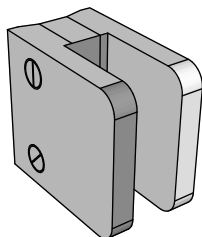
KG-3GD Utsyn Grey Diagonal 170-105 with New England top



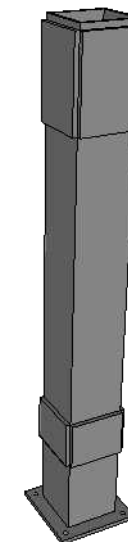
Revisions		
	MM/DD/YY	Notes
1	14/11/17	Sheet Production - RL
2	06/10/20	Name definition, and layout update - MS
3	10/02/21	Layout update - RL
4	___/___/___	...
5	___/___/___	...

# KG-3GD Utsyn Grey Diagonal 170-105 with New England top

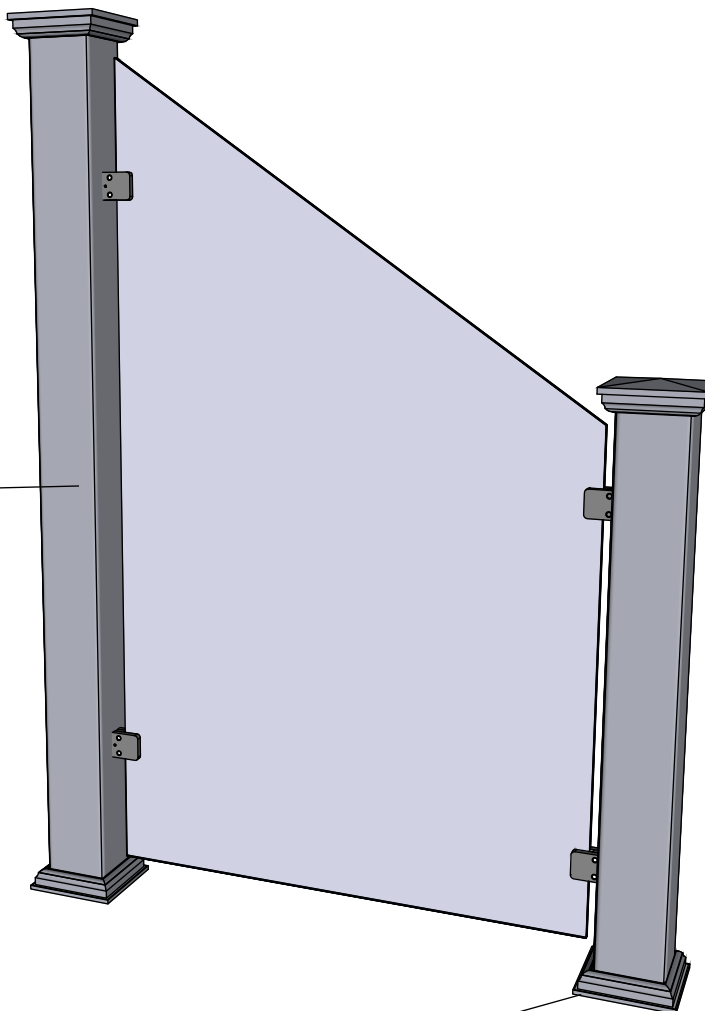
Stainless clamps  
for 16-18mm glass



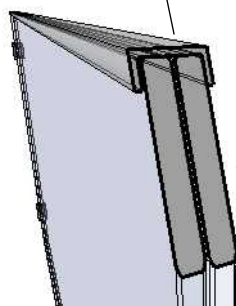
Rigid aluminum  
insert in post



post  
127mm x 127mm.



U-Profile

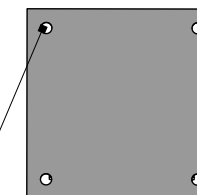


16,72 mm tempered and laminated glass

Bottom cover  
174mm x 174mm.

Bottom of insert is  
150mm x 150mm.  
10mm thickness of alu.

Dia = 9mm



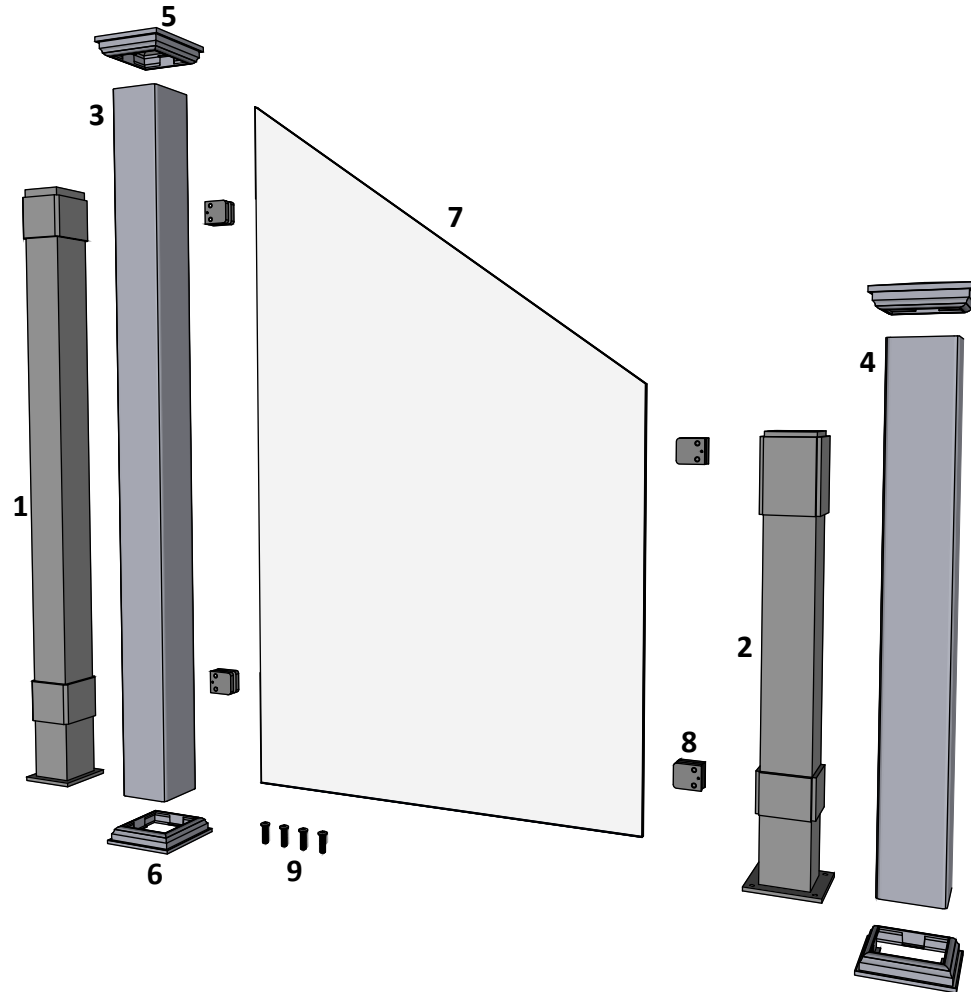
KG-3GD Utsyn Grey Diagonal 170-105

[www.kystgjerdet.com](http://www.kystgjerdet.com)

Revisions		
	MM/DD/YY	Notes
1	14/11/17	Sheet Production - RL
2	06/10/20	Name definition, and layout update - MS
3	10/02/21	Layout update - LMS
4	--/--/--	...
5	--/--/--	...

A 03

## Component overview for pack no: 7722



### 1 section contains:

- |                                    |                   |  |                   |         |                   |
|------------------------------------|-------------------|--|-------------------|---------|-------------------|
| 1. Aluminium insert for post tall  | - Art. No: 102337 | 5. New England top                             | - Art. No: 102465 | 9. Bolt | - Art. No: 102453 |
| 2. Aluminium insert for post short | - Art. No: 102307 | 6. Bottom cover                                | - Art. No: 102451 |         |                   |
| 3. PVC tall                        | - Art. No: 101543 | 7. 16,76mm (88.2) tempered and laminated glass | - Art. No: 102502 |         |                   |
| 4. PVC short                       | - Art. No: 101518 | 8. Glass clamp                                 | - Art. No: 102439 |         |                   |

### Revisions

	MM/DD/YY	Notes
1	14/11/17	Sheet Production - RL
2	06/10/20	Name definition, and layout update - MS
3	10/02/21	Layout update - RL
4	--/--/--	...
5	--/--/--	...