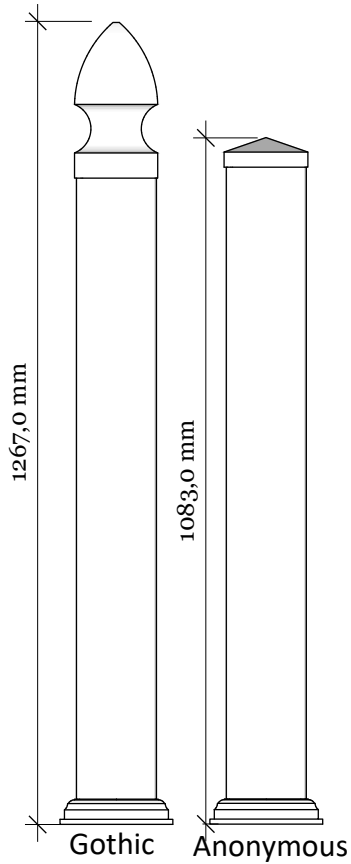
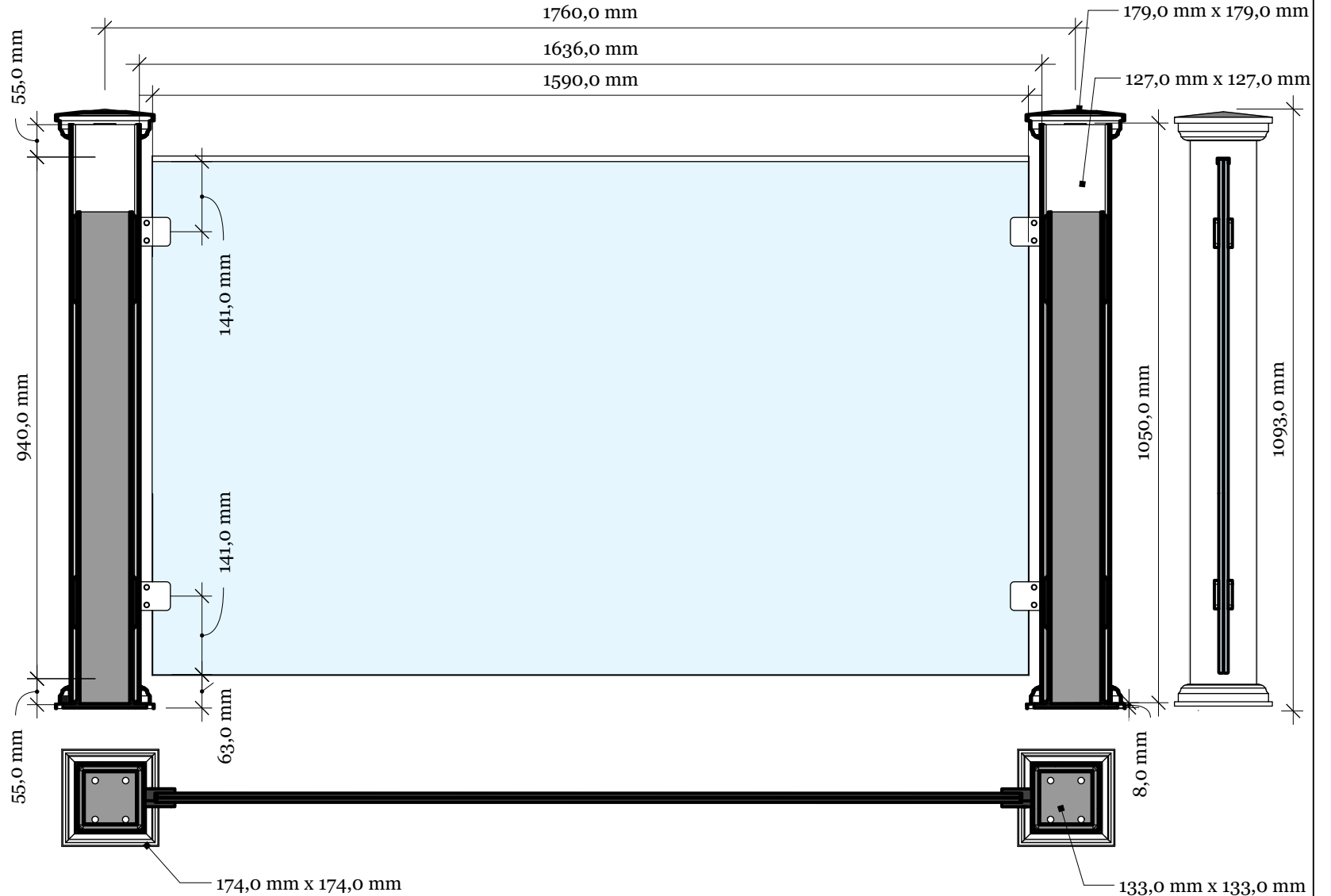


Alternative top caps



KG-1 Utsyn 100 glassrailing with New England top

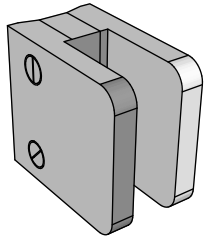


KG-1 Utsyn 100
www.kystgjerdet.com

Revisions		
1	14/11/17	Sheet Production - RL
2	06/10/20	Name definition, and layout update - MS
3	10/02/21	Layout update - RL
4	--/--/--	...
5	--/--/--	...

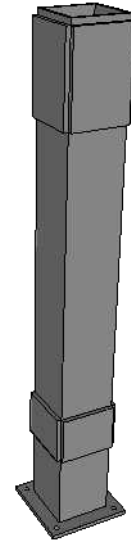
A 03

Stainless clamps
for 16-18mm glass

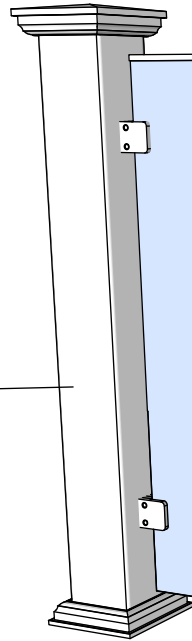


KG-1 Utsyn 100 glassrailing with New England top

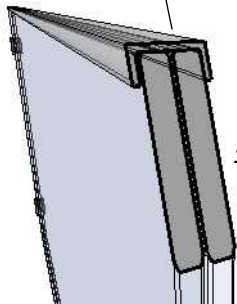
Rigid aluminum
insert in post



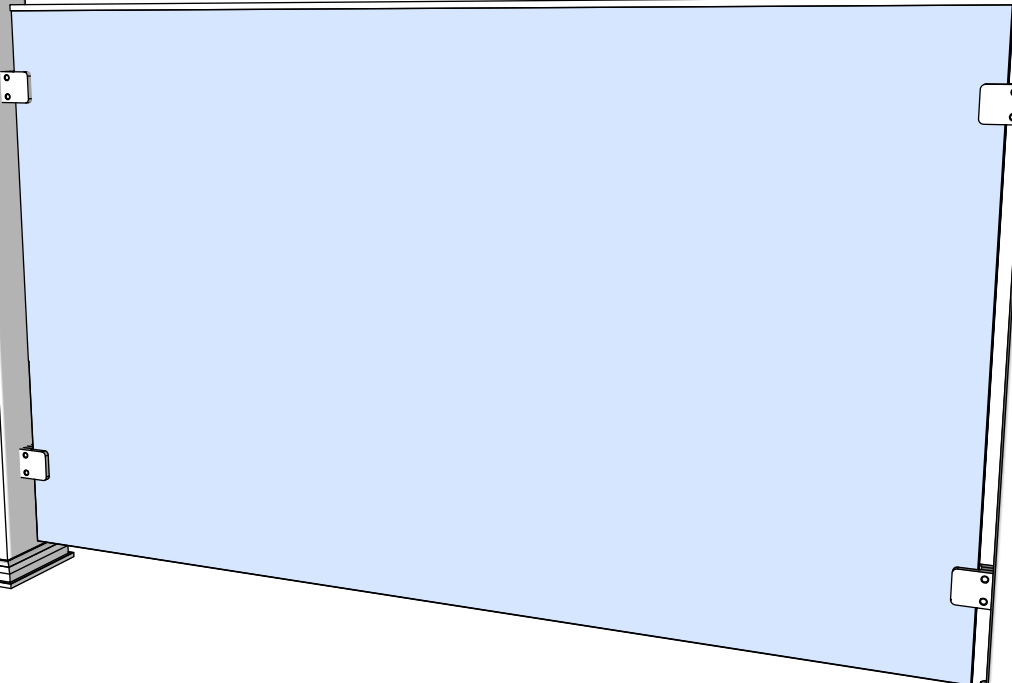
post
127mm x 127mm.



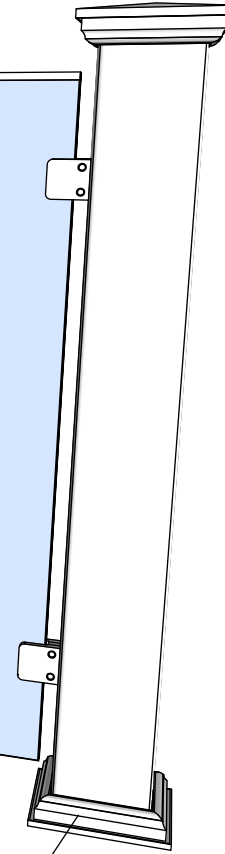
U-Profile



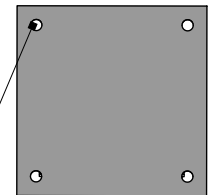
16,72 mm tempered and laminated glass



Bottom cover
174mm x 174mm.



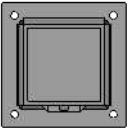
Bottom of insert is
150mm x 150mm.
10mm thickness of alu.



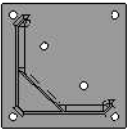
Dia = 9mm

Revisions		
1	14/11/17	Sheet Production - RL
2	06/10/20	Name definition, and layout update - MS
3	10/02/21	Layout update - RL
4	___/___/___	...
5	___/___/___	...

Alt. for component 1:

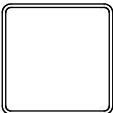


Art. No: 102307

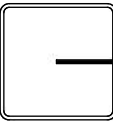


Art. No: 102308

Alt. for component 2:

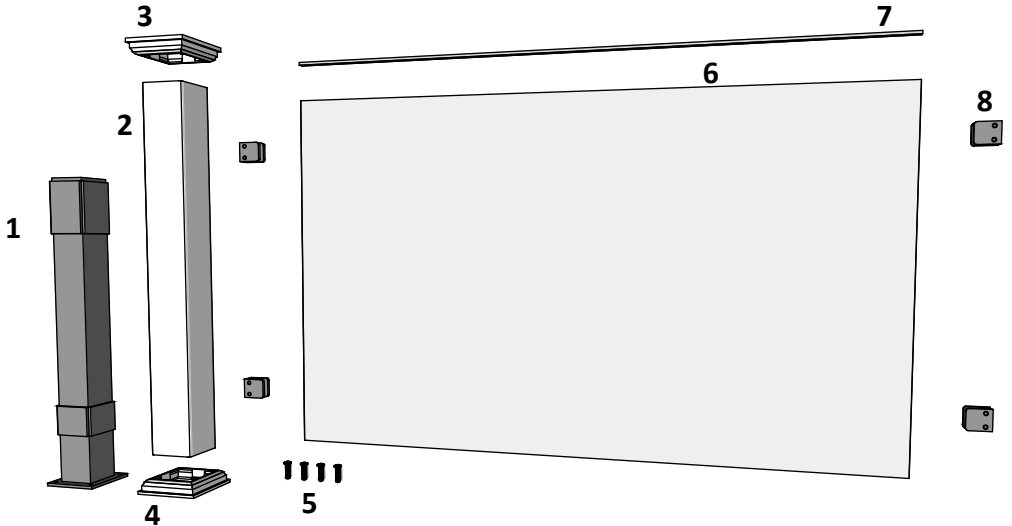


Line Post, End Post, Corner Post: Art. No: 101502
For pack no: 2403 & 2405



Glass to PVC Post, Special Post: Art. No: 101502
For pack no: 2404

Component overview for pack no: 2403-2405



1 full section contains:

1. Aluminum insert for post	- Art. No: See alternatives
2. PVC post	- Art. No: See alternatives
3. New England top (as standard)	- Art. No: 102457
4. Bottom cover	- Art. No: 102449
5. Fastener for glassclamp	- Art. No: 100715
6. Glass 88.4	- Art. No: 102504
7. Stainless Top-List	- Art. No: 100715
8. Glass-Clamps	- Art. No: 102507

Additional posts can be purchased separately:

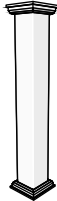
Line Post - Pack no: 8874



End Post - Pack no: 8874



Corner Post - Pack no: 8878

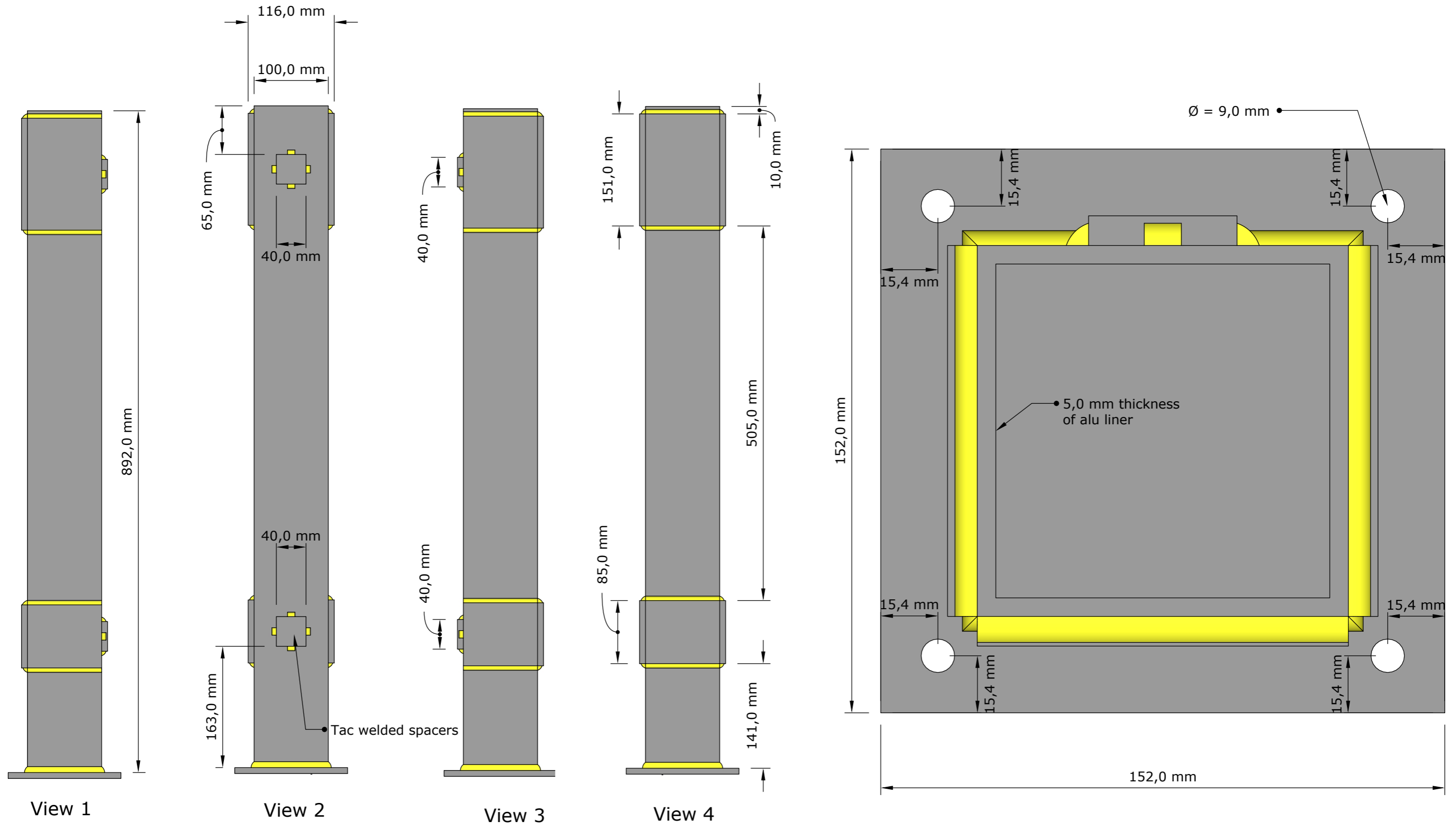


Special Post - Pack no: 8878



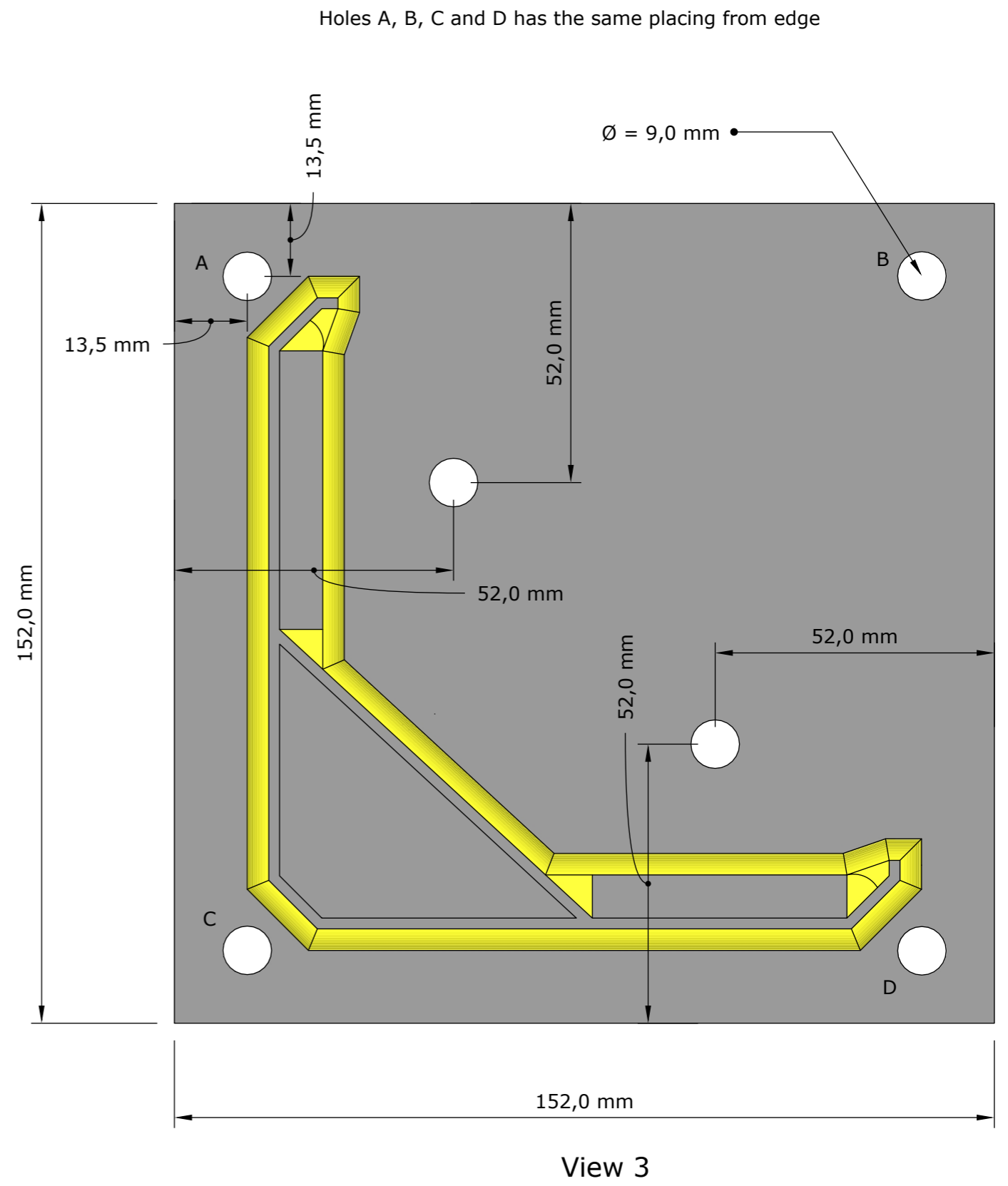
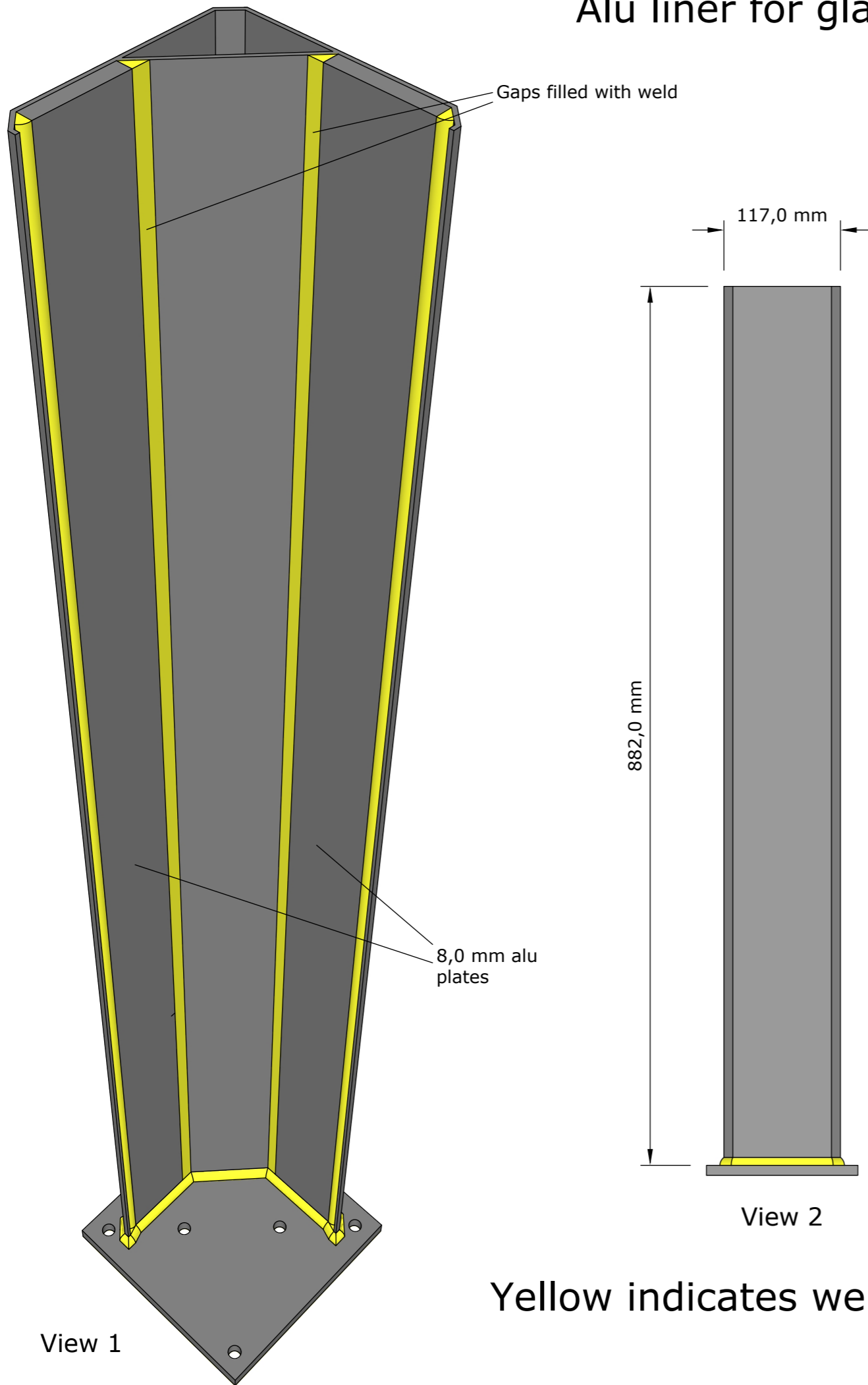
Revisions		
1	14/11/17	Sheet Production - RL
2	06/10/20	Name definition, and layout update - MS
3	10/02/21	Layout update - RL
4	02/02/23	Layout update - LMS
5	--/--/--	...

Alu liner for glass to glass



Yellow indicates welding

Alu liner for glass to pvc



Yellow indicates welding