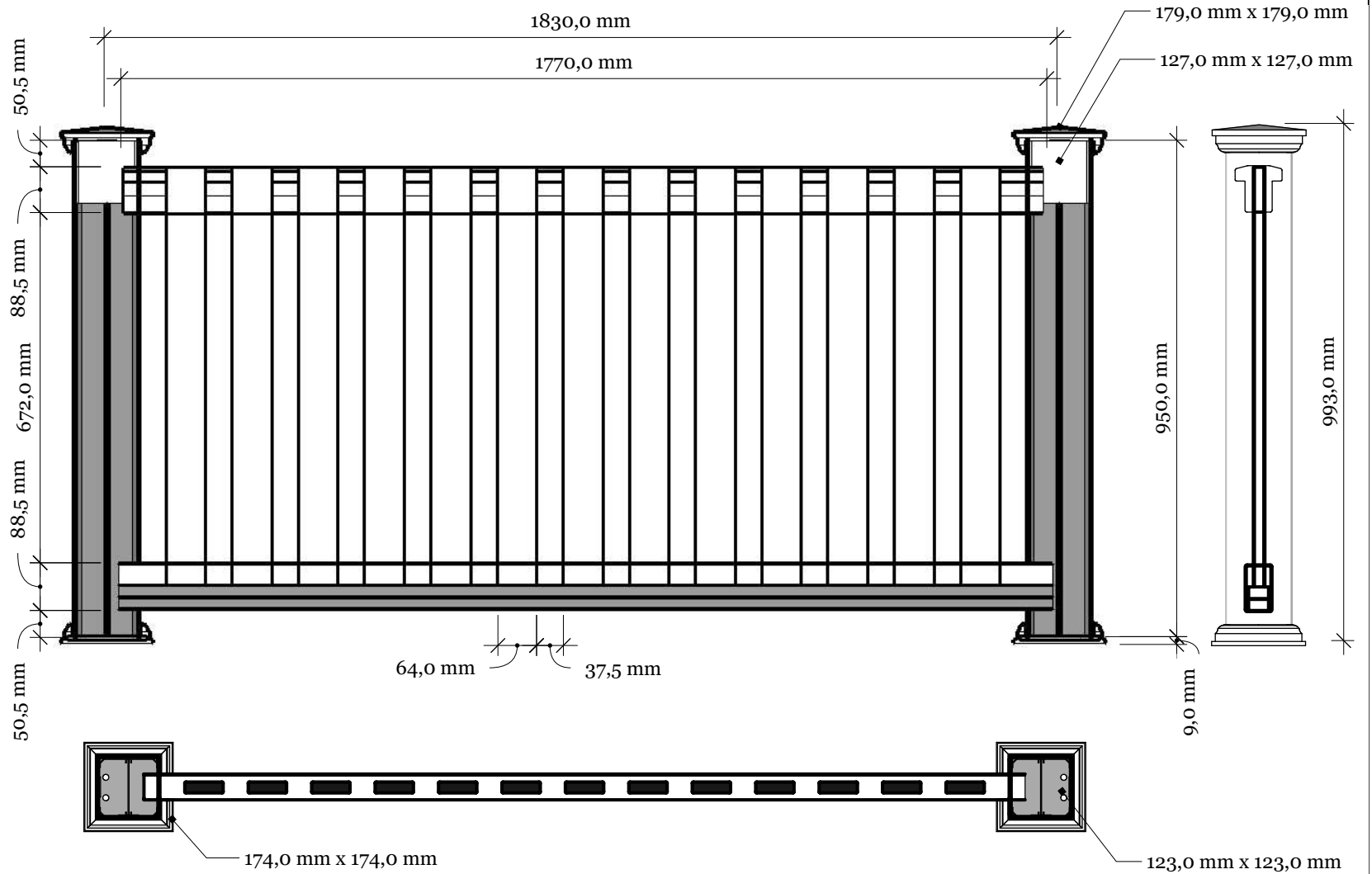
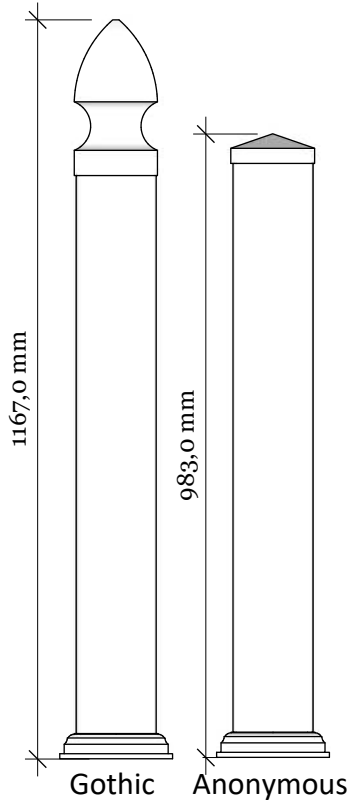


# FD-5 Herregård 90 with New England top

## Alternative top caps

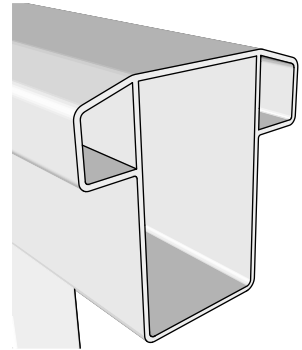


**FD-5 Herregård 90**  
[www.kystgjerdet.com](http://www.kystgjerdet.com)

Revisions		
	MM/DD/YY	Notes
1	14/11/17	Sheet Production - RL
2	06/10/20	Name definition, and layout update - MS
3	10/02/21	Layout update - RL
4	02/02/23	Layout update - LMS
5	--/--/--	...

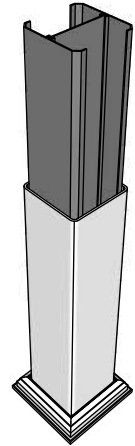
**A 04**

# FD-5 Herregård 90 railing with New England top

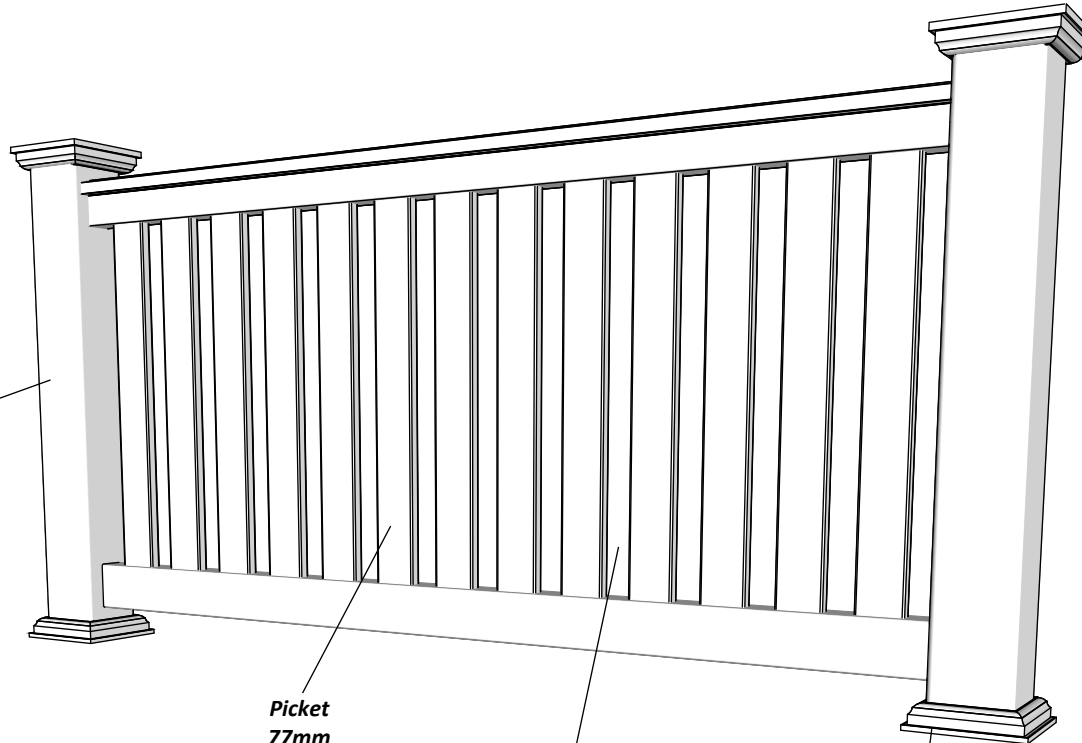


Top rail profile

Rigid aluminum insert in post



Post  
127mm x 127mm

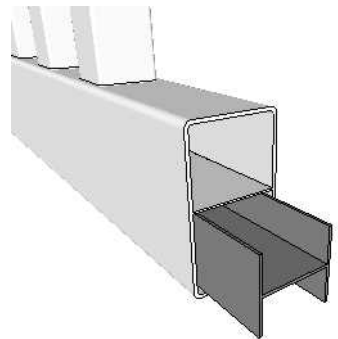


Picket  
77mm

Spacing 50mm

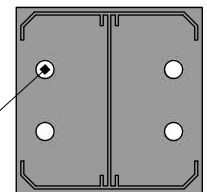
Bottom cover  
174mm x 174mm.

Bottom of insert is  
123mm x 123mm  
8mm thickness of alu



Aluminum profile in  
bottom rail to prevent  
deflection

Dia = 12mm



**KYSTGJERDET**

**FD-5 Herregård 90**

**www.kystgjerdet.com**

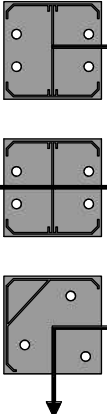
Revisions

	MM/DD/YY	Notes
1	14/11/17	Sheet Production - RL
2	06/10/20	Name definition, and layout update - MS
3	10/02/21	Layout update - RL
4	02/02/23	Layout update - LMS
5	--/--/--	...

**A 04**

**A**

**Alt. for component 1:**




Art. No: 102300

Art. No: 102300

Art. No: 102303

---

**Alt. for component 2:**



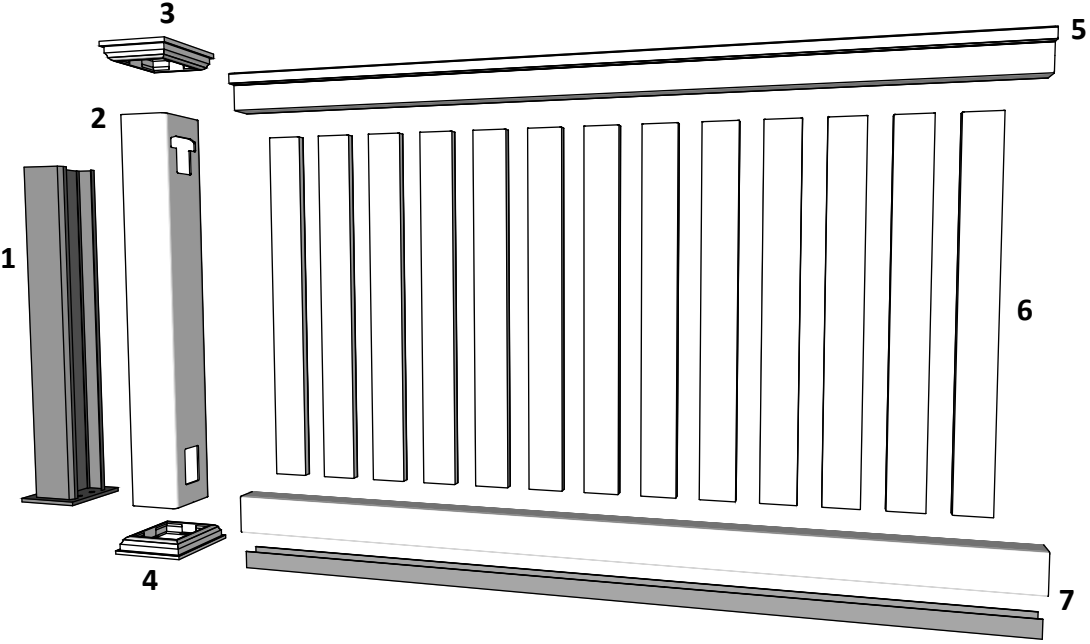
Line Post: Art. No: 100800  
For pack no: 9300

End Post: Art. No: 100801  
For pack no: 9301

Corner Post: Art. No: 100802  
For pack no: 9302

Special Post: Art. No: 100803  
For pack no: 9303

## Component overview for pack no: 9300-9303

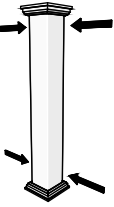


**1 full section contains:**

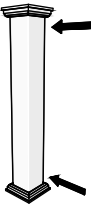
1. Aluminum insert for post	- Art. No: See alternatives
2. PVC post	- Art. No: See alternatives
3. New England top (as standard)	- Art. No: 102457
4. Bottom cover	- Art. No: 102449
5. Top rail	- Art. No: 100049
6. 13 Pickets	- Art. No: 102018
7. Bottom rail with alu. liner	- Art. No: 100274

**Additional posts can be purchased separately:**

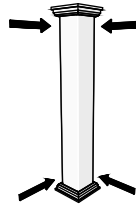
Line Post - Pack no: 8600



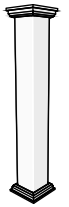
End Post - Pack no: 8601



Corner Post - Pack no: 8602



Special Post - Pack no: 8801



Revisions		
1	14/11/17	Sheet Production - RL
2	06/10/20	Name definition, and layout update - MS
3	10/02/21	Layout update - RL
4	02/02/23	Layout update - LMS
5	---/--/--	...