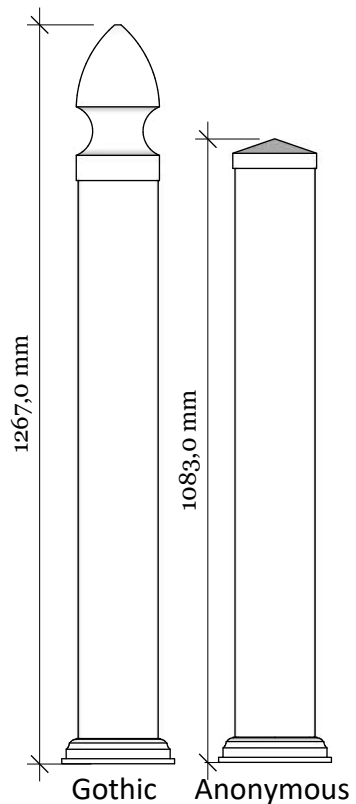
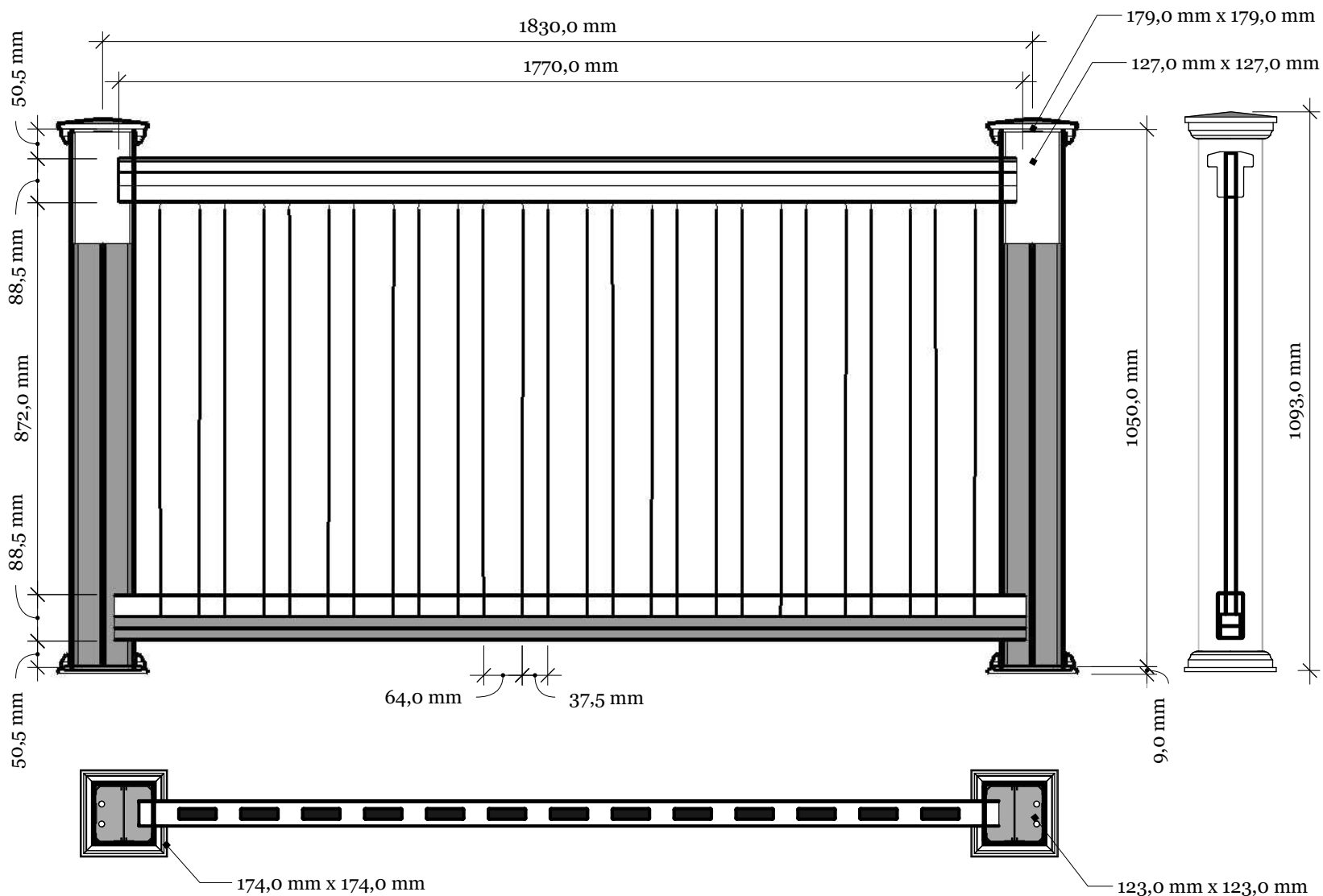


Alternative top caps

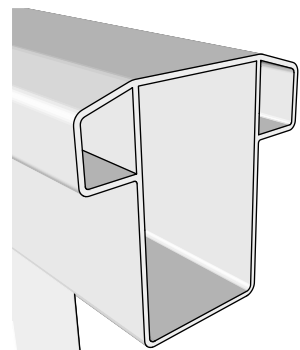


FD-5 Herregård 100 with New England top



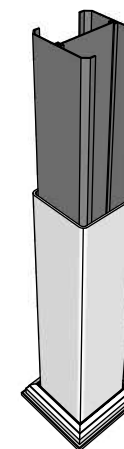
Revisions		
	MM/DD/YY	Notes
1	14/11/17	Sheet Production - RL
2	06/10/20	Name definition, and layout update - MS
3	10/02/21	Layout update - RL
4	02/02/23	Layout update - LMS
5	--/--/--	...

FD-5 Herregård 100 railing with New England top

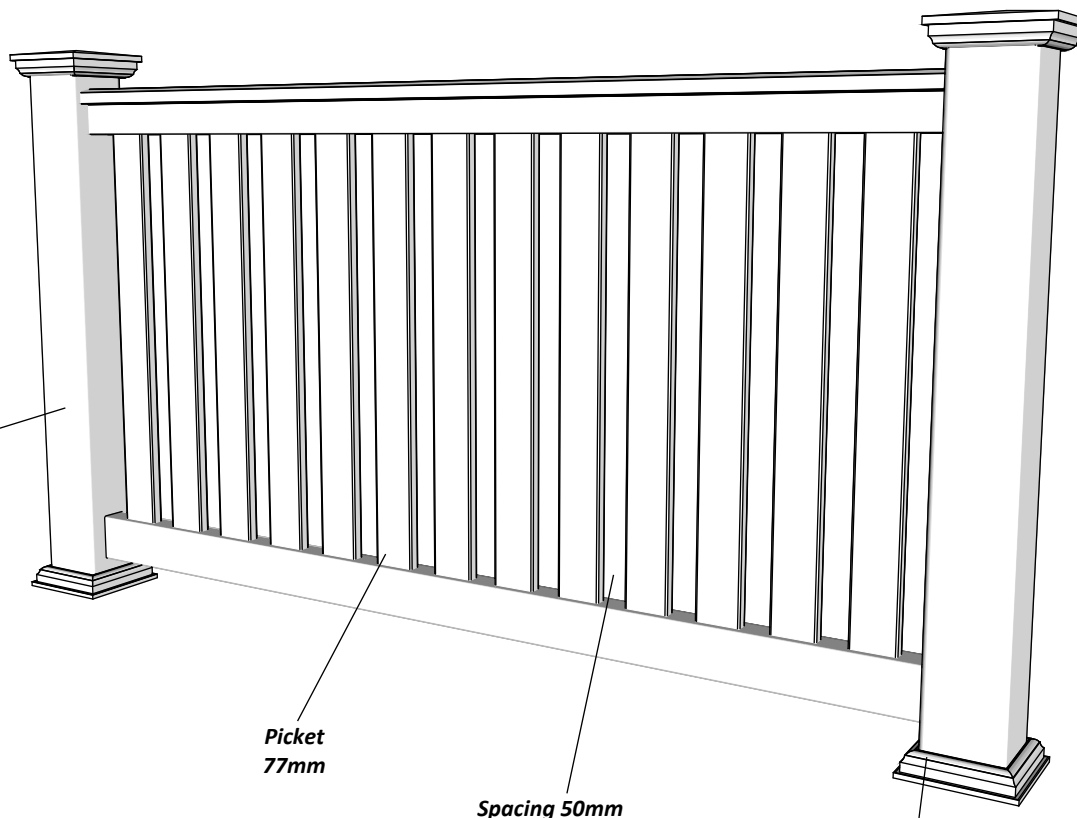


Top rail profile

Rigid aluminum insert in post



Post
127mm x 127mm

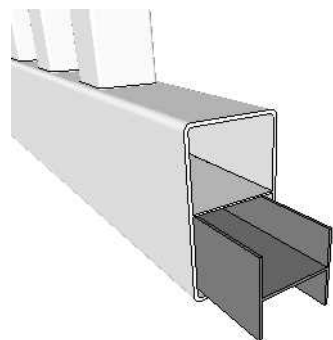


Picket
77mm

Spacing 50mm

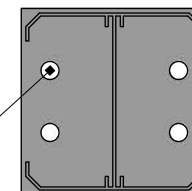
Bottom cover
174mm x 174mm.

Bottom of insert is
123mm x 123mm
8mm thickness of alu



Aluminum profile in
bottom rail to prevent
deflection

Dia = 12mm



KYSTGJERDET

FD-5 Herregård 100

www.kystgjerdet.com

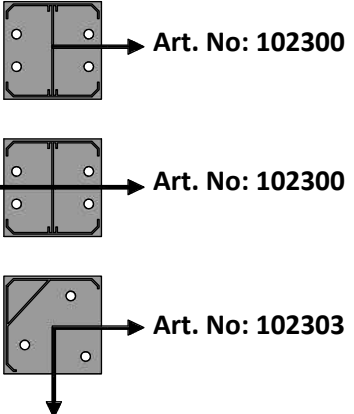
Revisions

	MM/DD/YY	Notes
1	14/11/17	Sheet Production - RL
2	06/10/20	Name definition, and layout update - MS
3	10/02/21	Layout update - RL
4	02/02/23	Layout update - LMS
5	--/--/--	...

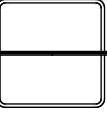
04

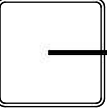
A

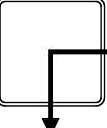
Alt. for component 1:




Alt. for component 2:

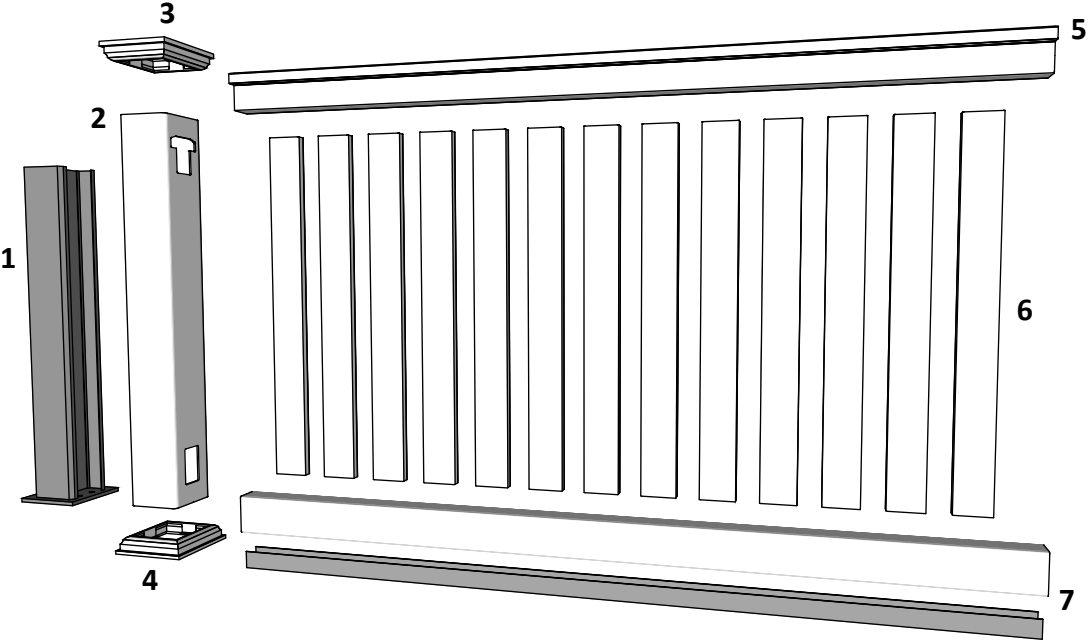
 **Line Post: Art. No: 100806**
For pack no: 9311

 **End Post: Art. No: 100807**
For pack no: 9312

 **Corner Post: Art. No: 100808**
For pack no: 9313

 **Special Post: Art. No: 100809**
For pack no: 9314

Component overview for pack no: 9311-9314

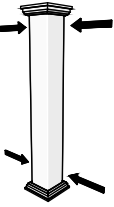


1 full section contains:

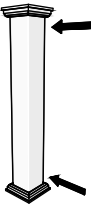
1. Aluminum insert for post	- Art. No: See alternatives
2. PVC post	- Art. No: See alternatives
3. New England top (as standard)	- Art. No: 102457
4. Bottom cover	- Art. No: 102449
5. Top rail	- Art. No: 100049
6. 13 Pickets	- Art. No: 102020
7. Bottom rail with alu. liner	- Art. No: 100274

Additional posts can be purchased separately:

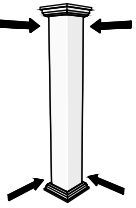
Line Post - Pack no: 8606



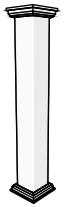
End Post - Pack no: 8607



Corner Post - Pack no: 8608



Special Post - Pack no: 8803



Revisions		
1	14/11/17	Sheet Production - RL
2	06/10/20	Name definition, and layout update - MS
3	10/02/21	Layout update - RL
4	02/02/23	Layout update - LMS
5	---/---/---	...