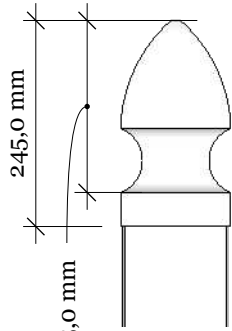
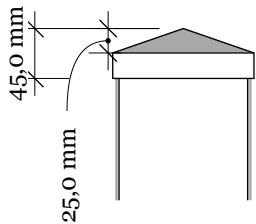


Alternative top caps

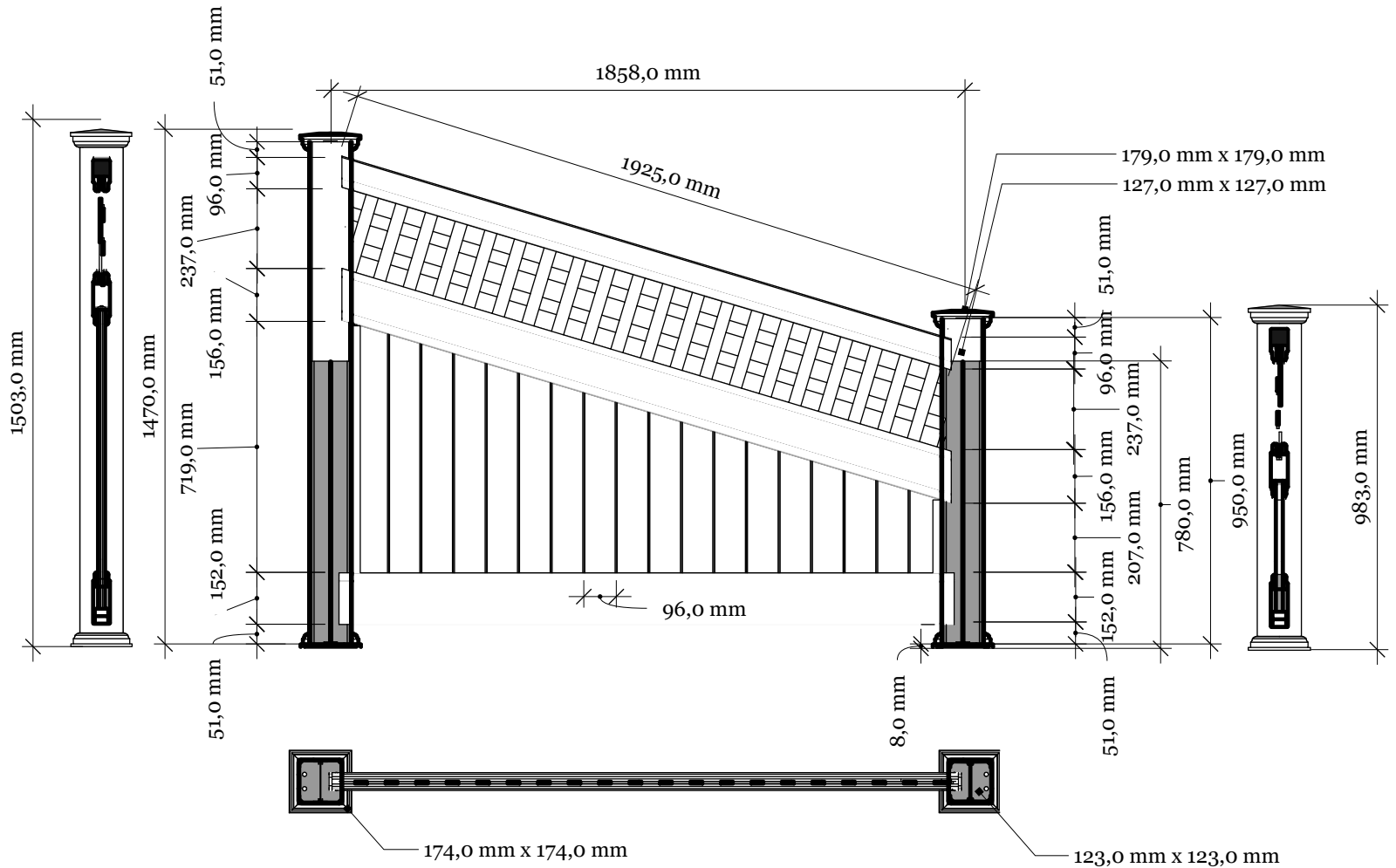


Gothic



Anonymous

FA-3D Blest Diagonal 147-95 with New England top



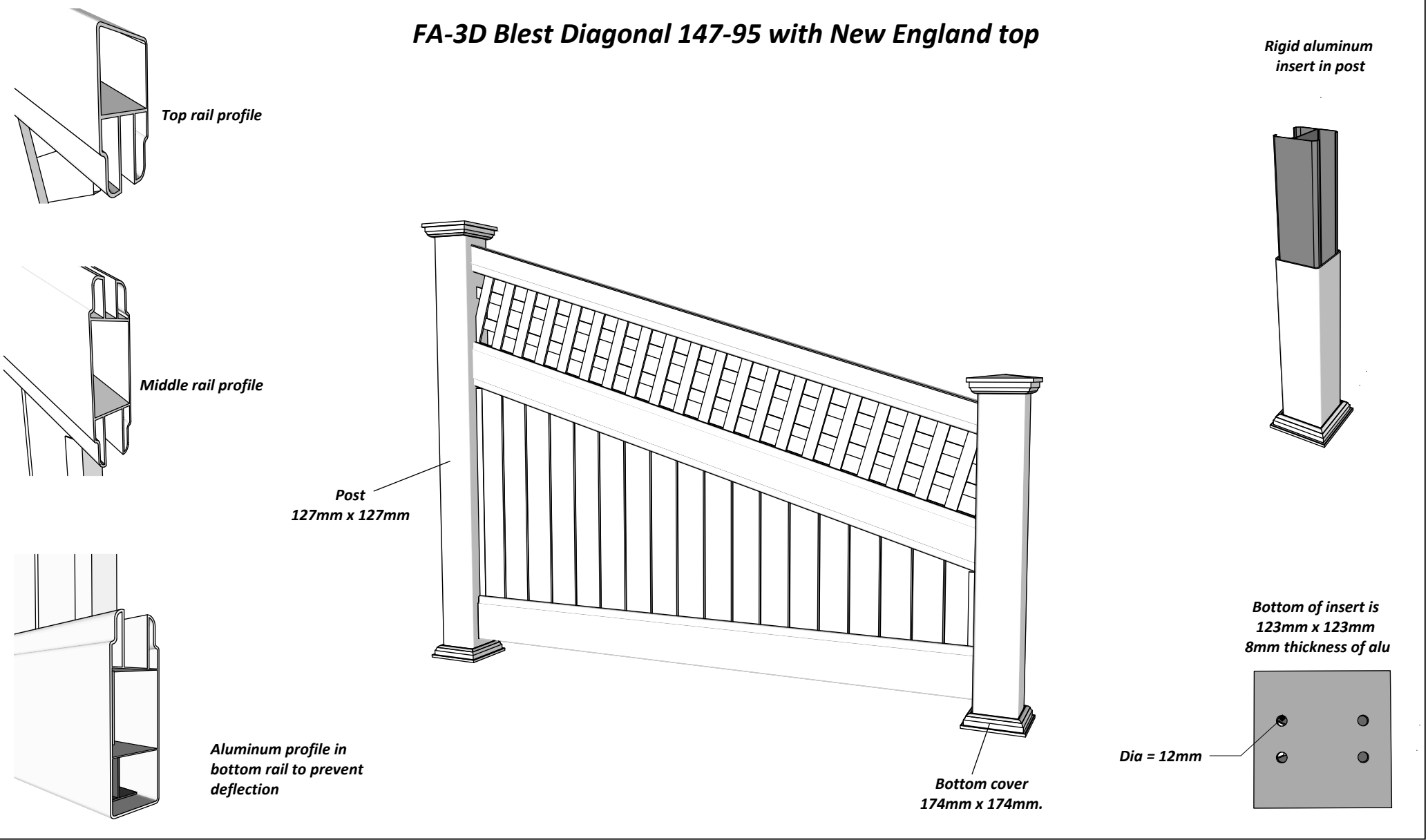
FA-3D Blest Diagonal 147-95

www.kystgjerdet.com

Revisions		
MM/DD/YY	Notes	
1	14/11/17	Sheet Production - RL
2	06/10/20	Name definition, and layout update - MS
3	10/02/21	Layout update - RL
4	---/---/---	...
5	---/---/---	...

A 03

FA-3D Blest Diagonal 147-95 with New England top



FA-3D Blest Diagonal 147-95
www.kystgjerdet.com

Revisions		
	MM/DD/YY	Notes
1	14/11/17	Sheet Production - RL
2	06/10/20	Name definition, and layout update - MS
3	10/02/21	Layout update - RL
4	___/___/___	...
5	___/___/___	...

A 03

Alt. for component 1:

Art. No: 102300

Art. No: 102300

Art. No: 102303

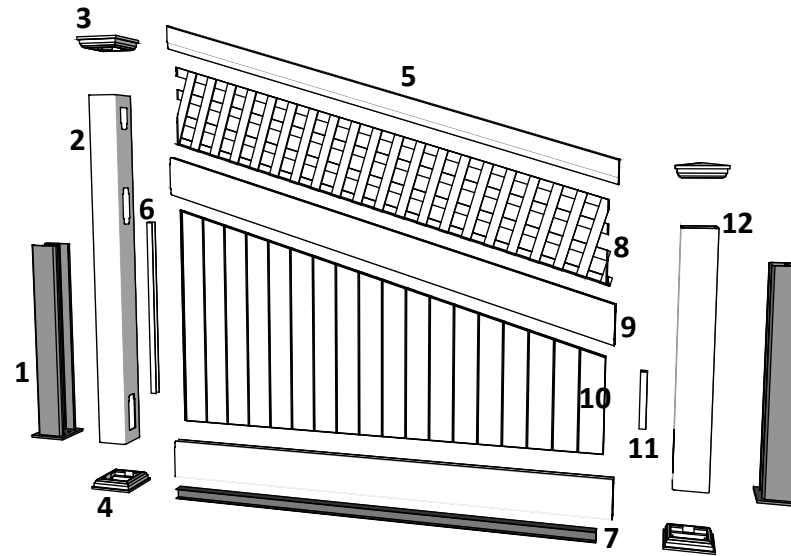
Component 2 & 10:

Special Post: Art. No: 101539
For pack no: 4858

Special Post: Art. No: 101500
For pack no: 4858



Component overview for pack no: 4858



1 full section contains:

1. Aluminum inserts for posts	- Art. No: See alternatives
2. PVC post (tall)	- Art. No: 101539
3. New England top (as standard)	- Art. No: 102457
4. Bottom cover	- Art. No: 102449
5. Top rail	- Art. No: 100703
6. Endlists for panel (tall)	- Art. No: 101834
7. Bottom rail with alu. liner	- Art. No: 100400
8. Lattice	- Art. No: 101912
9. Middle rail	- Art. No: 100602
10. Panel	- Art. No: 102228
11. Endlists for panel (short)	- Art. No: 101834
12. PVC post (short)	- Art. No: 101500

Additional posts can be purchased separately:

Tall Special Post - Pack no: 8840



Short Special Post - Pack no: 8801



Revisions		
1	14/11/17	Sheet Production - RL
2	06/10/20	Name definition, and layout update - MS
3	10/02/21	Layout update - RL
4	02/03/23	Layout update - LMS
5	--/--/--	...