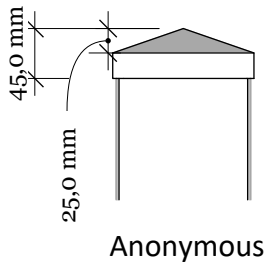
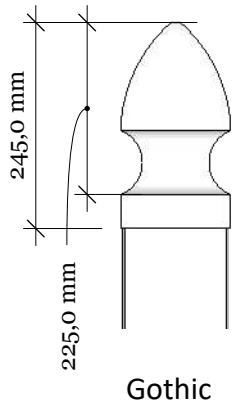
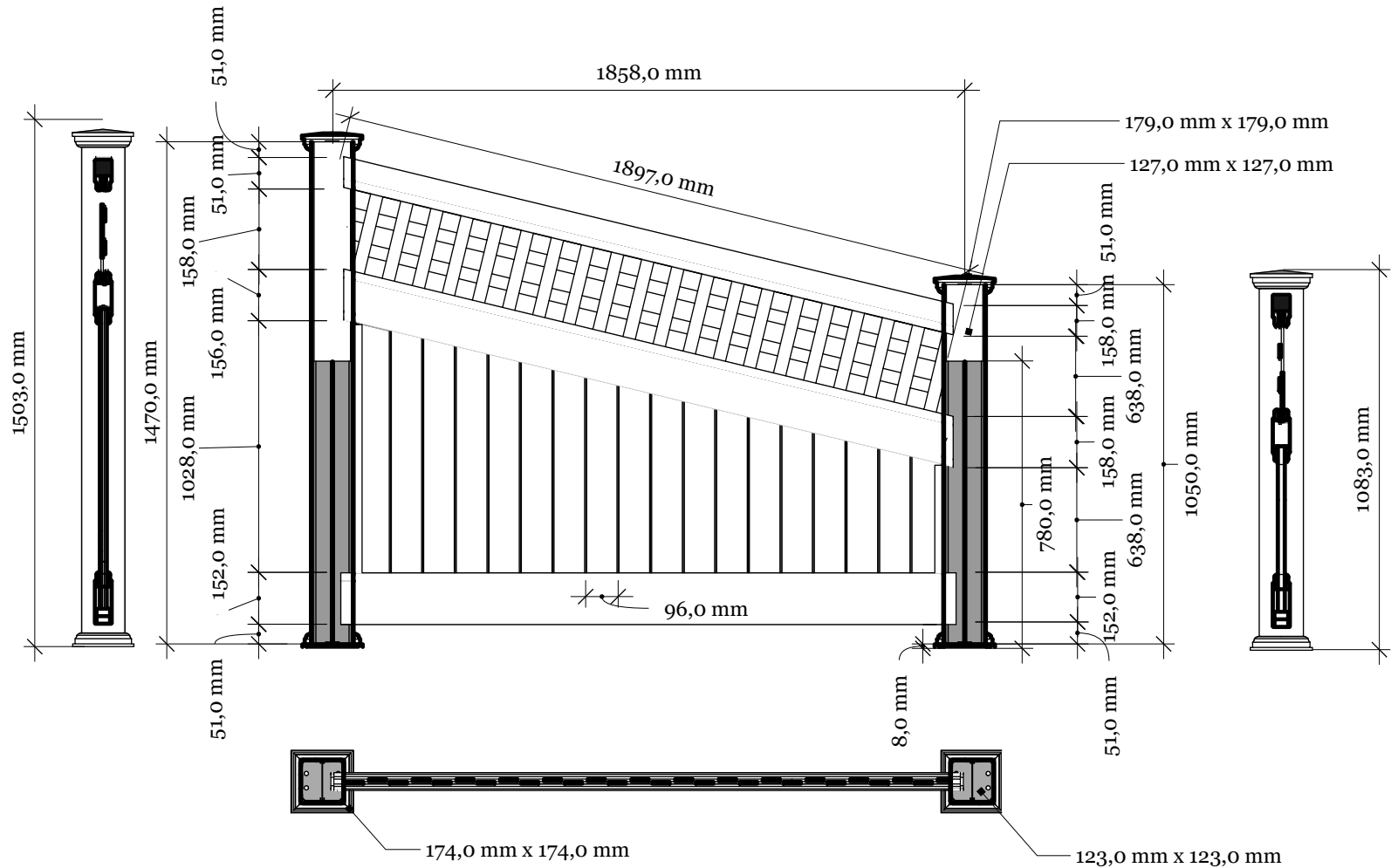


Alternative top caps



FA-3D Blest Diagonal 147-105 with New England top



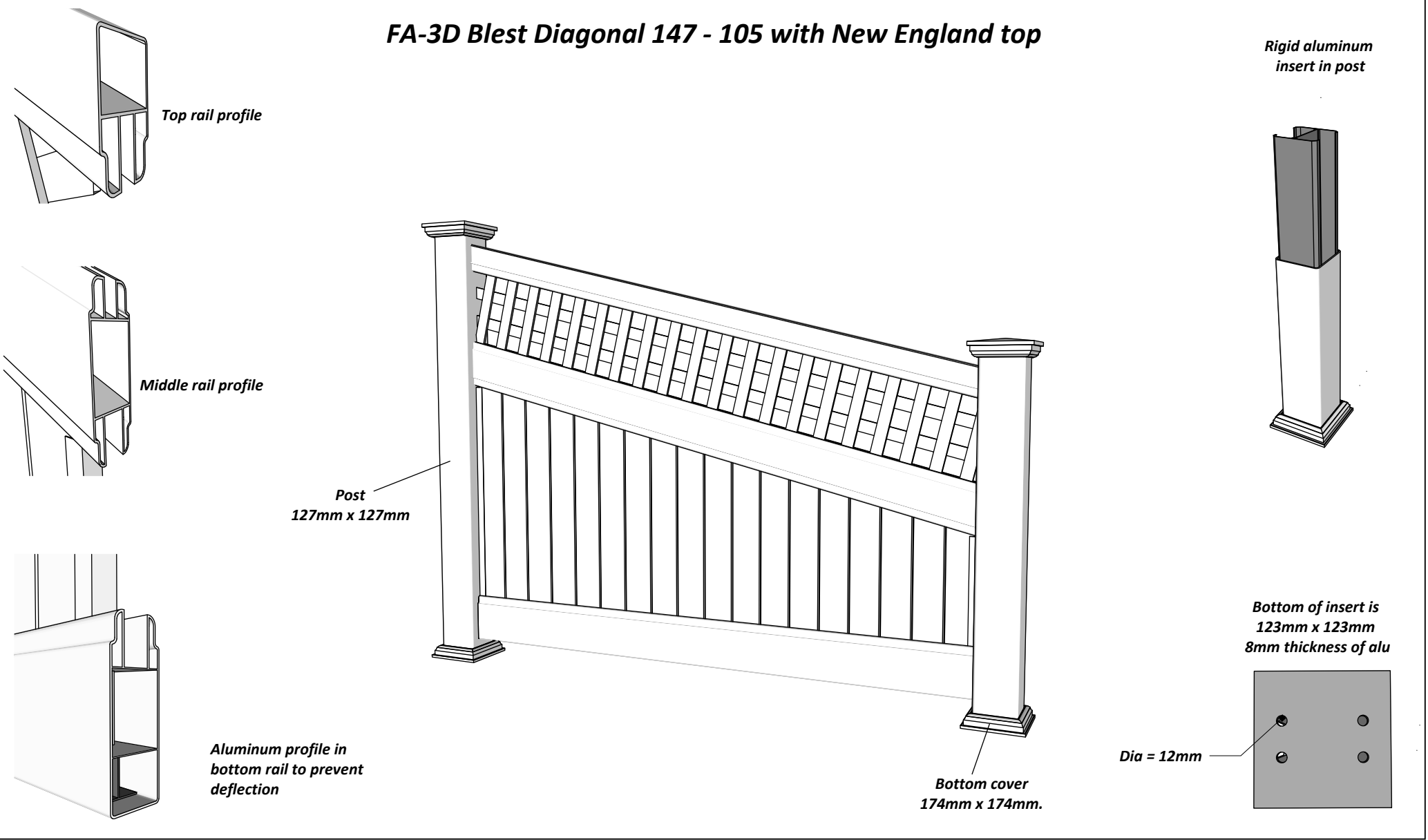
FA-3D Blest Diagonal 147-105

[www.kystgjerdet.com](http://www.kystgjerdet.com)

Revisions		
	MM/DD/YY	Notes
1	14/11/17	Sheet Production - RL
2	06/10/20	Name definition, and layout update - MS
3	10/02/21	Layout update - RL
4	---/---/---	...
5	---/---/---	...

A 03

# FA-3D Blest Diagonal 147 - 105 with New England top



**FA-3D Blest Diagonal 147-105**  
[www.kystgjerdet.com](http://www.kystgjerdet.com)

Revisions		
	MM/DD/YY	Notes
1	14/11/17	Sheet Production - RL
2	06/10/20	Name definition, and layout update - MS
3	10/02/21	Layout update - RL
4	___/___/___	...
5	___/___/___	...

**A 03**

**Alt. for component 1:**

Art. No: 102300

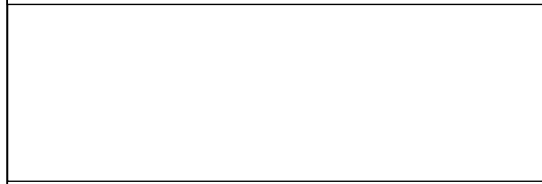
Art. No: 102300

Art. No: 102303

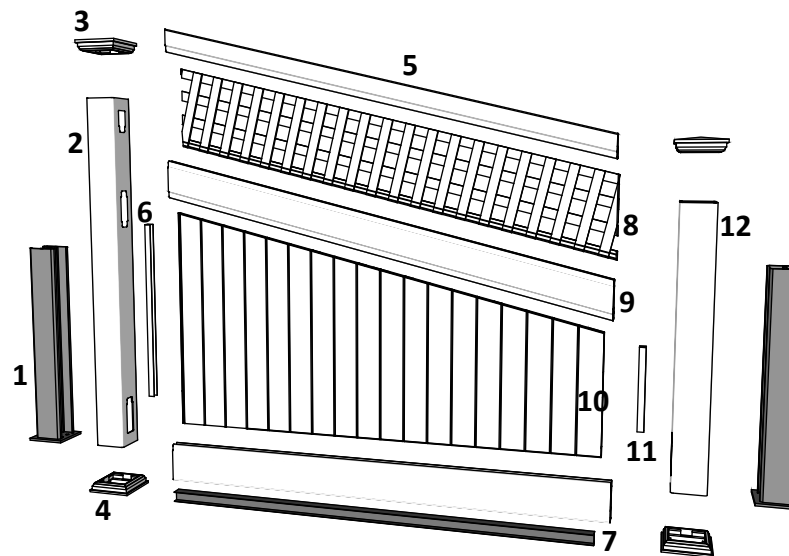
**Component 2 & 10:**

Special Post: Art. No: 101539  
For pack no: 4859

Special Post: Art. No: 101502  
For pack no: 4859



## Component overview for pack no: 4859



**1 full section contains:**

1. Aluminum inserts for posts	- Art. No: See alternatives
2. PVC post (tall)	- Art. No: 101539
3. New England top (as standard)	- Art. No: 102457
4. Bottom cover	- Art. No: 102449
5. Top rail	- Art. No: 100702
6. Endlists for panel (tall)	- Art. No: 101837
7. Bottom rail with alu. liner	- Art. No: 100400
8. Lattice	- Art. No: 101913
9. Middle rail	- Art. No: 100601
10. Panel	- Art. No: 102229
11. Endlists for panel (short)	- Art. No: 101836
12. PVC post (short)	- Art. No: 101502

Additional posts can be purchased separately:

Tall Special Post - Pack no: 8840



Short Special Post - Pack no: 8803



**FA-3D Blest Diagonal 147-105**

[www.kystgjerdet.com](http://www.kystgjerdet.com)

Revisions		
1	14/11/17	Sheet Production - RL
2	06/10/20	Name definition, and layout update - MS
3	10/02/21	Layout update - RL
4	02/03/23	Layout update - LMS
5	--/--/--	...

**A 04**