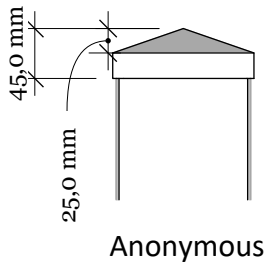
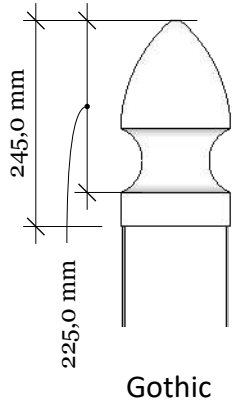
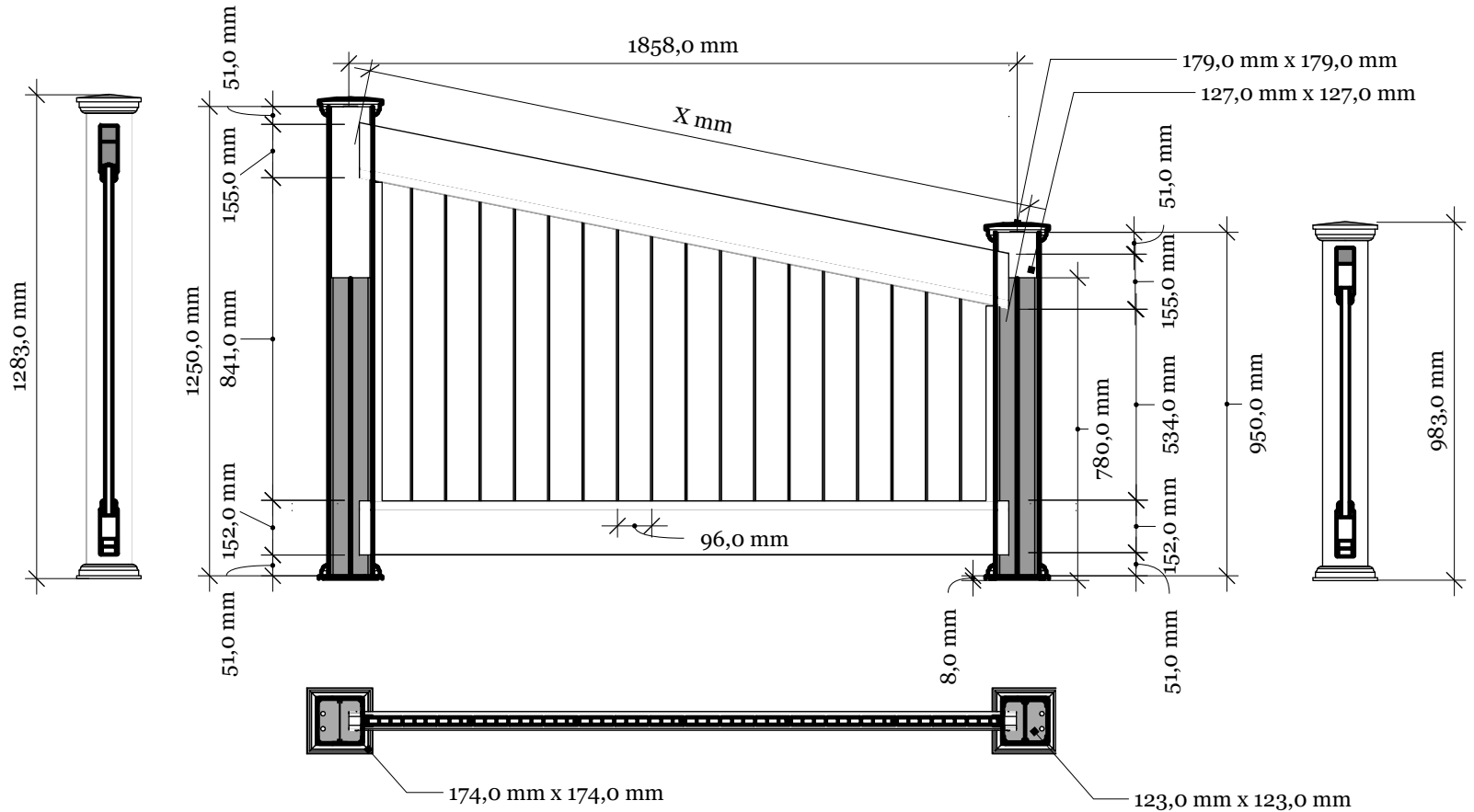


Alternative top caps



FA-1D Stille Diagonal 125-95 with New England top



FA-1D Stille Diagonal 125-95

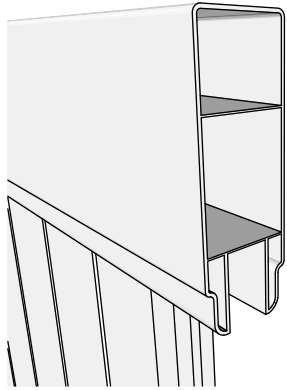
www.kystgjerdet.com

Revisions		
MM/DD/YY	Notes	
1	14/11/17	Sheet Production - RL
2	06/10/20	Name definition, and layout update - MS
3	10/02/21	Layout update - RL
4	___/___/___	...
5	___/___/___	...

03

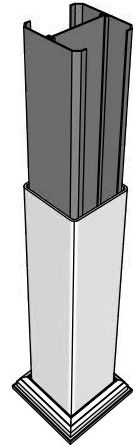
A

FA-1D Stille Diagonal 125-95 with New England top

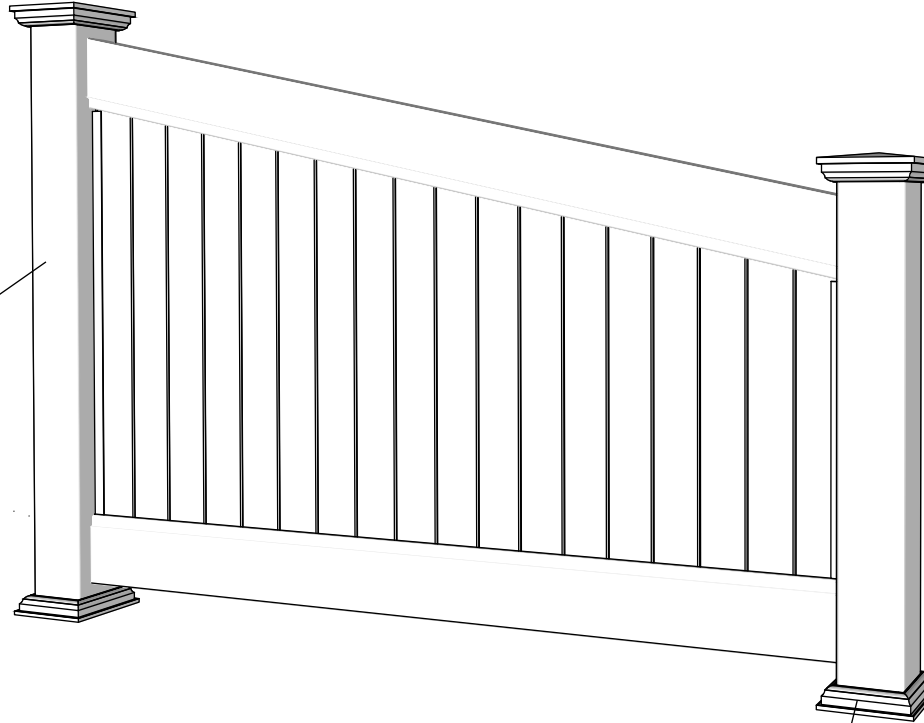


Top rail profile

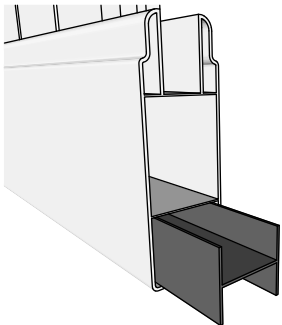
Rigid aluminum insert in post



Post
127mm x 127mm



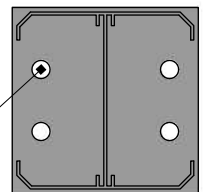
Bottom of insert is
123mm x 123mm
8mm thickness of alu



Aluminum profile in
bottom rail to prevent
deflection

Bottom cover
174mm x 174mm.

Dia = 12mm



FA-1D Stille Diagonal 125-95

www.kystgjerdet.com

Revisions		
	MM/DD/YY	Notes
1	14/11/17	Sheet Production - RL
2	06/10/20	Name definition, and layout update - MS
3	10/02/21	Layout update - RL
4	___/___/___	...
5	___/___/___	...

A 03

Alt. for component 1:

Art. No: 102300

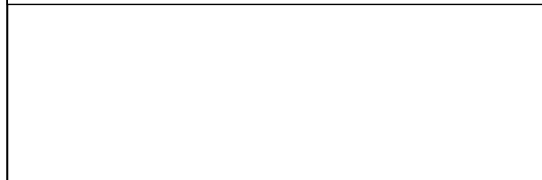
Art. No: 102300

Art. No: 102303

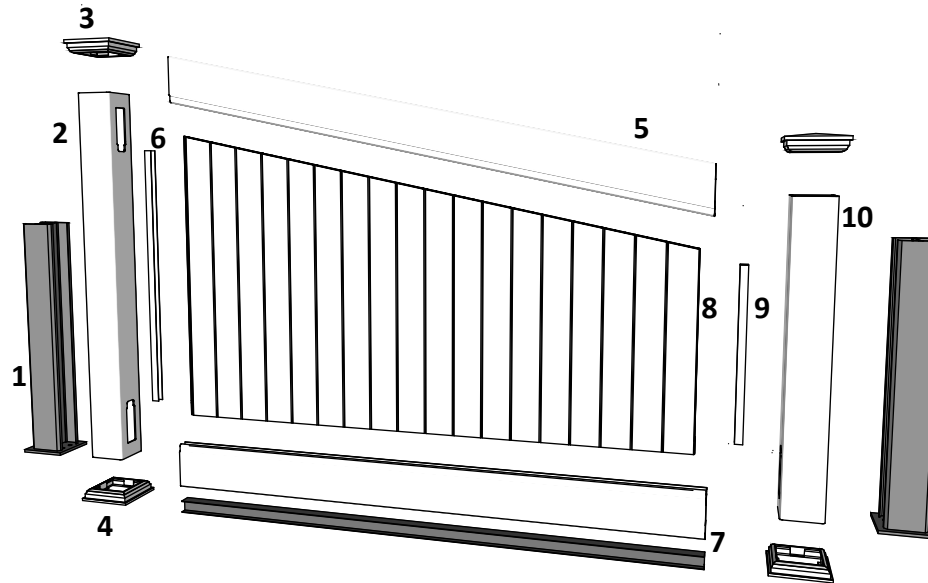
Component 2 & 10:

Special Post: Art. No: 101506
For pack no: 4814

Special Post: Art. No: 101500
For pack no: 4814



Component overview for pack no: 4814

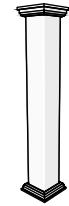


1 full section contains:

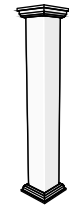
1. Aluminum inserts for posts	- Art. No: See alternatives
2. PVC post (tall)	- Art. No: 101506
3. New England top (as standard)	- Art. No: 102457
4. Bottom cover	- Art. No: 102449
5. Top rail	- Art. No: 100509
6. Endlists for panel (tall)	- Art. No: 101810
7. Bottom rail with alu. liner	- Art. No: 100400
8. Panel 6-pack	- Art. No: 102215
9. Endlists for panel (short)	- Art. No: 101809
10. PVC post (short)	- Art. No: 101500

Additional posts can be purchased separately:

Tall Special Post - Pack no: 8807



Short Special Post - Pack no: 8801



Revisions		
1	14/11/17	Sheet Production - RL
2	06/10/20	Name definition, and layout update - MS
3	10/02/21	Layout update - RL
4	02/03/23	Layout update - LMS
5	---/---/---	...